

**Step 1:**

Unpack all parts and check against parts list.

**Step 2:**

Select all 8 **G1**s, lay at selected sight and lay out in a rough octagon shape.

Screw all 8 pieces together as shown in **Fig.A** Complete octagon assembly with 2 3" screws at each joint.

Keeping joints even at top and outside edges, see **Fig.B**

**Step 3:**

Select all 8 **G2**s, set each at inside corner. See **Fig.C**. See **Fig.D** making sure that all **G2**s are centered in each corner and flush at bottom edge of the **G1**s and screw in 4 3" screws at each outside corners.

**Step 4:**

See **Fig.F**.

Place **G4** in center of floor hub. Set 2- 2 1/2" screws in place by raising each **G2** to fit under **G4** as shown.

**Step 5:**

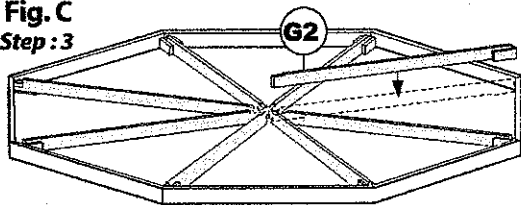
Select all 8 **G3**s, set between each **G2** at center of hub see **Fig.E**. See **Fig.G** making sure to mark center line as shown raise to top edge of **G1** and screw as shown with 2- 3" screws.

**Step 6:**

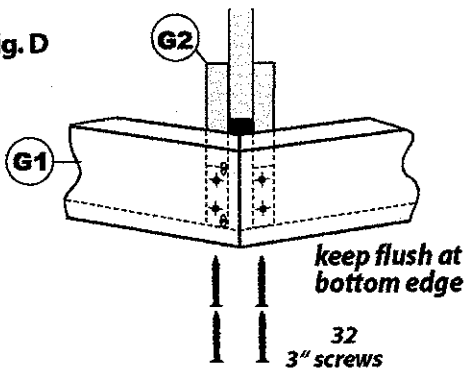
See **Fig.H**

Clean area, level, and spread 1/2" crushed gravel 2" thick out past gazebo area. Set cinder blocks as needed at each corner and a larger piece in the center for support. Use a long level to set the gazebo base before you set the floor panels.

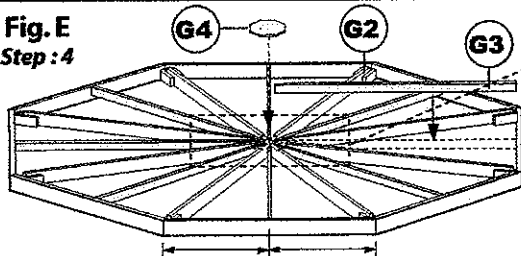
**Fig. C**  
Step : 3



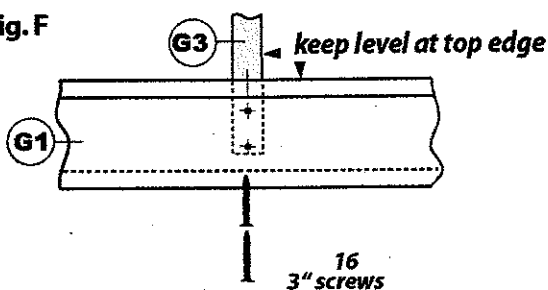
**Fig. D**



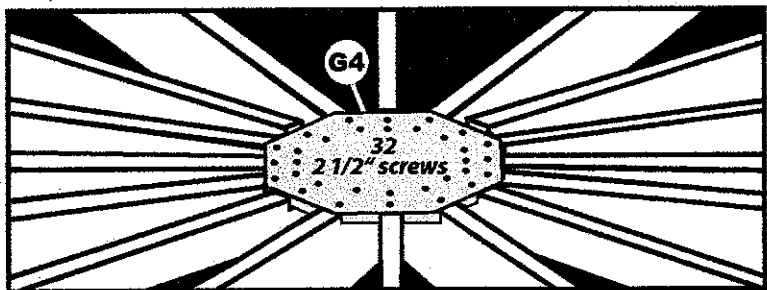
**Fig. E**  
Step : 4



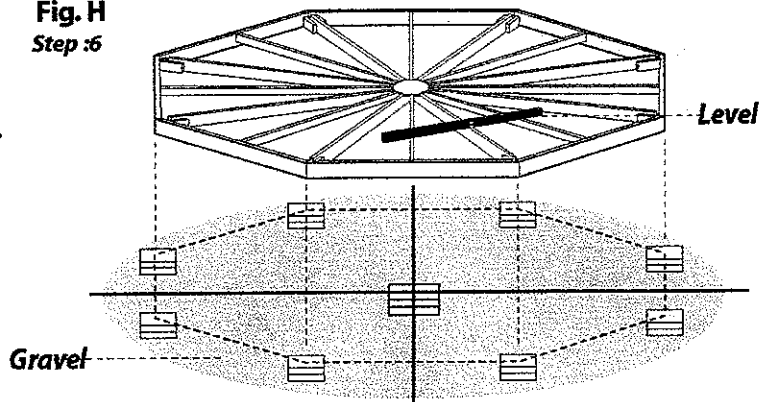
**Fig. F**



**Fig. F**  
Step : 4

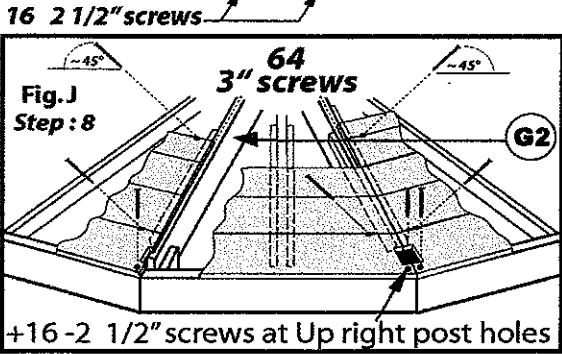
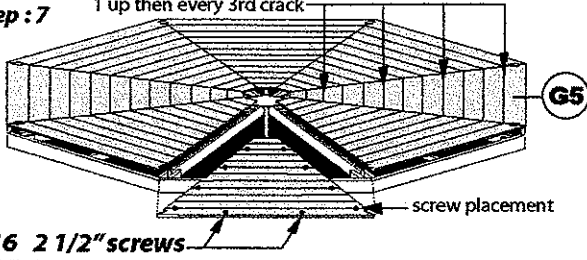


**Fig. H**  
Step : 6

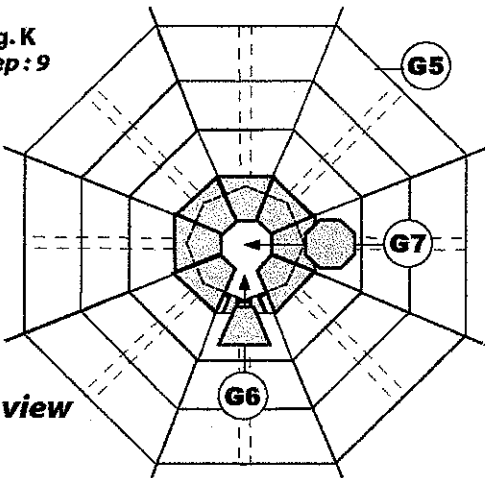


**Fig. I**  
**Step : 7**

screw placement:  
1 up then every 3rd crack

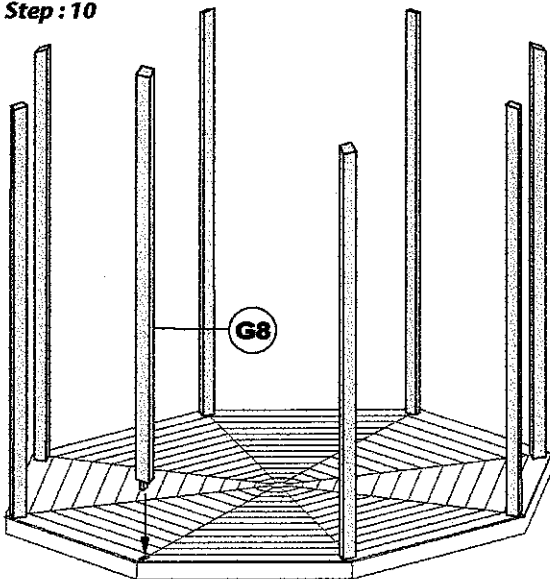


**Fig. K**  
**Step : 9**



top view

**Fig. L**  
**Step : 10**



**Step 7:**

Slide all 8 **G5** floor panels in place making sure they are all overhang approximately 1/4" on outside edge of octagon base frame. See **Fig. I**

**Step 8:**

Make sure all panels lap half on each edge of **G2s**. See **Fig. I** & **Fig. J** for screw placement, 8 3" screws at 45° in cracks between floor boards support piece and in to the floor joists **G2**. This technique is designed so you don't see screws exposed. You need 1-2 1/2" screws straight down at each outer corner as shown, between edge and up right post holes.

**Step 9:**

Select all 8 **G6s**, set each inside of **G5** floor panels and screw 3" screws in predrilled holes in **G6s** and **G7** to secure to floor. See **Fig. K**.

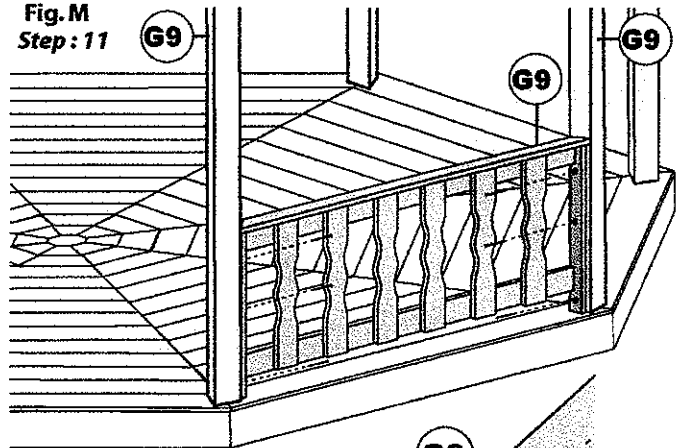
**Step 10:**

Installation all 8 **G8** posts. Vertical posts have a dove tail at bottom end that fits into the cutouts in the floor. Place around the deck. See **Fig. L**. Place so the top roof line bevel cut faces away from the center of the floor base structure.

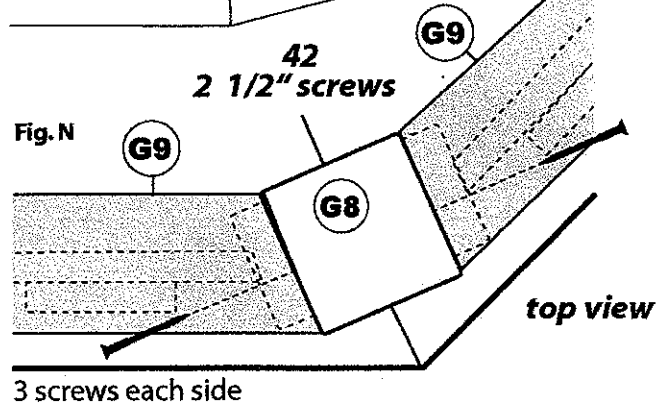
**Step 11:**

Rail assembly, position rail **G9** between two **G8** vertical post with 3 screw each side with 2 1/2" screws. See **Fig. M**. Match beveled surfaces. Flush to insides of all 7 **G8s**. Continue **G9** rails around the floor leaving last section open for entry. See **Fig. N**.

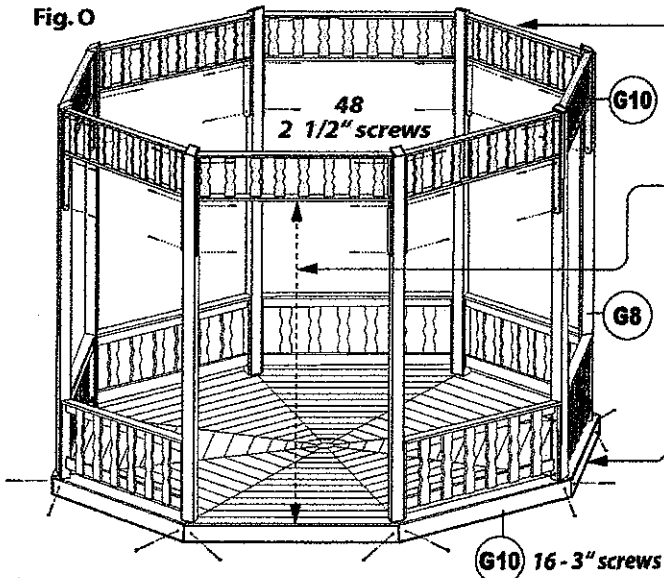
**Fig. M**  
**Step : 11**



**Fig. N**



**Step : 12**  
**Fig. O**



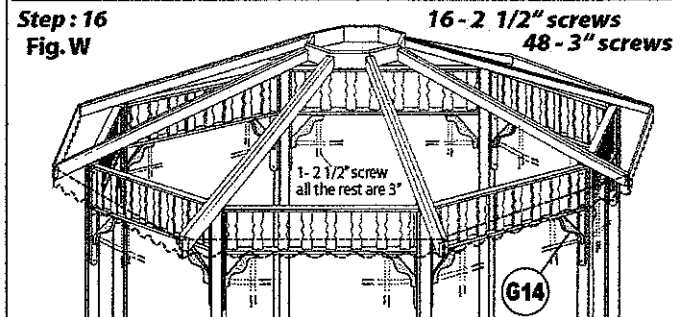
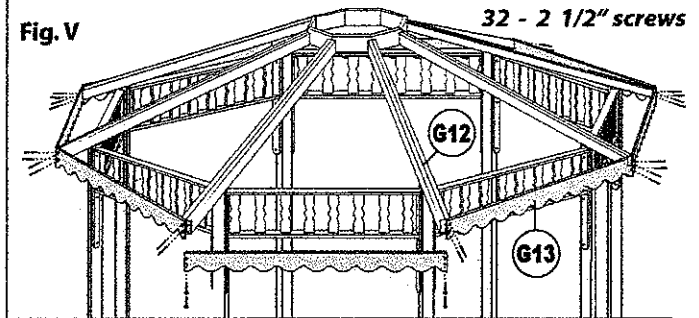
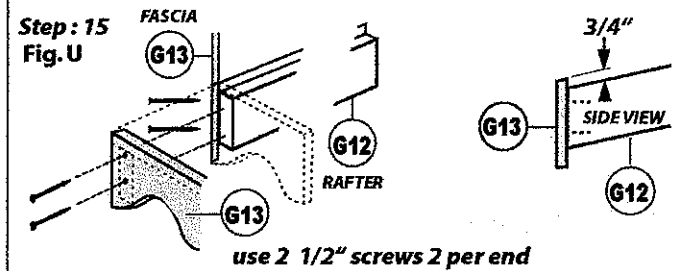
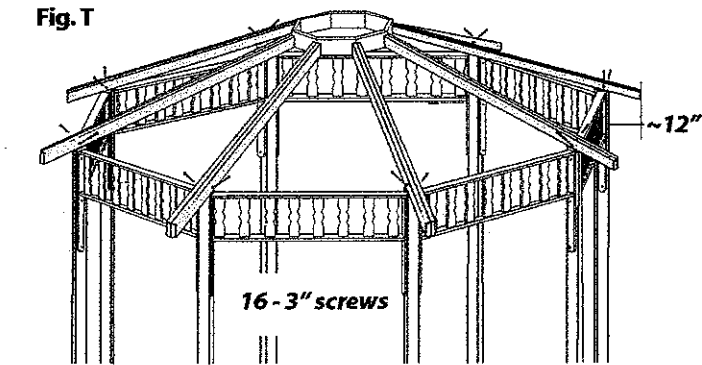
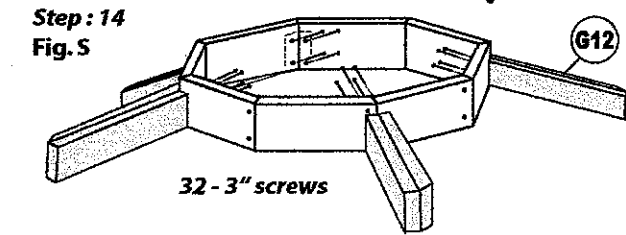
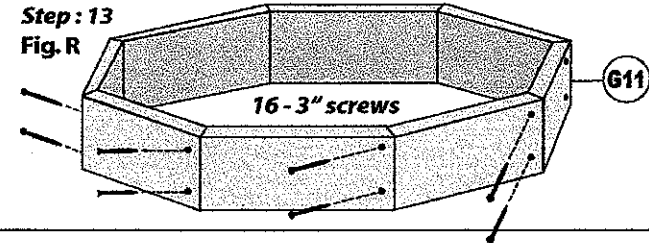
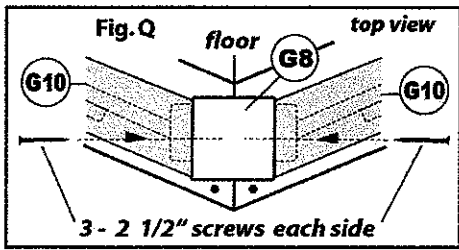
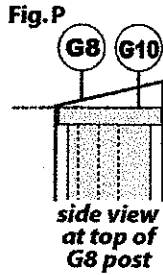
**Step 12:**  
Install all 8 **G10** top railings. Position at top of each pair of vertical **G8** posts. Position top railing as shown in **Fig.O** & **Fig.P** with 3-2 1/2" screws as shown in each **G10** vertical posts. Rail and roof line cut at the top should be flush with the out sides slop. See **Fig.O** and in **Fig.P**. See **Fig.Q** for top alignment.  
If you are installing a screen kit measure the height of the screen door frame before installing **G10s**.  
Now put 2- 3" screws in to all **G1** rim boards at base to secure **G8s** to floor.

**Step 13:**  
Select all 8 **G11s**, connect each with 2- 3" screws as shown in **Fig.R**.

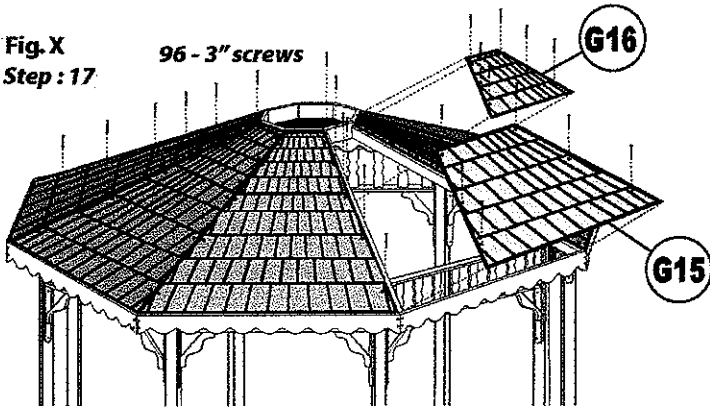
**Step 14:**  
Attach 4 **G12** roof rafters to the **G11** roof ring center support as shown in **Fig.S**, lift up over structure and center on 4 **G8** up right posts, making sure the **G12s** are approximately 12" from the out side edge of the 4 **G8s**. Temporary use 2- 3" screw **G12s** to **G8s**. Then add the rest of the **G12s** in the same way. See **Fig T**.

**Step 15:**  
Now you have all 8 **G12s** in place, don't screw permanent in to **G8** posts until you have the **G13s** scalloped fascias installed. See **Fig.U** and **FigV** at **G12** rafter ends.

**Step 16:**  
Attach all 16 **G14s** corner braces using 1- 2 1/2" for top out side screw hole and 3-3" screws for the rest as shown in **Fig.W**.

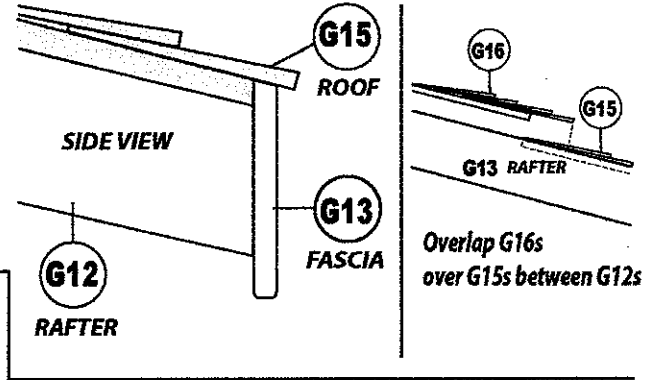


**Fig. X**  
**Step : 17**

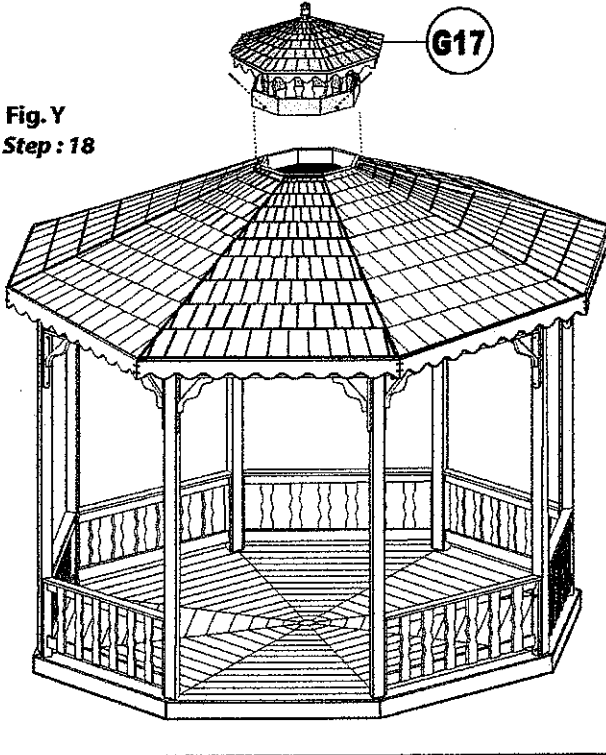


**Step : 17 Large and small roof sections**

Install all 8 G15 roof section and all 8 G16 roof sections centering each one on the G12 rafters. Screw 3-3" screws down each side of each section thru the shake roof holes provided into rafters. Continue until all roof sections are done. See Fig. X.

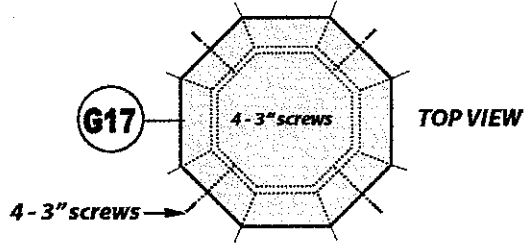


**Fig. Y**  
**Step : 18**

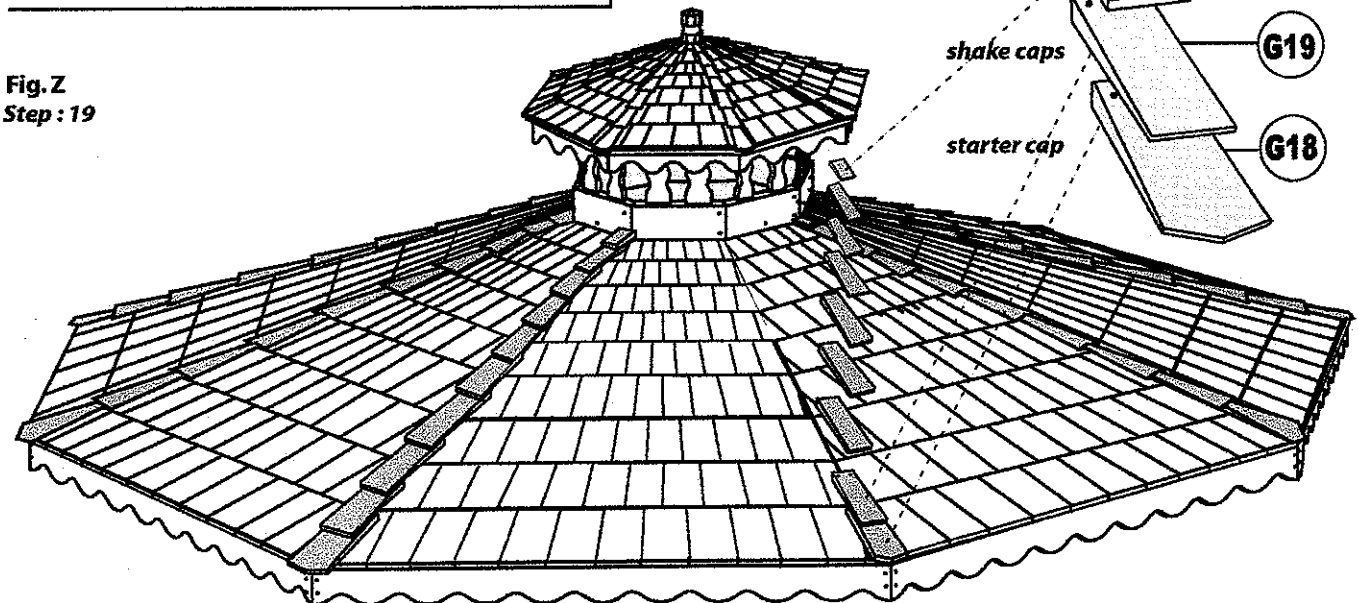


**Step : 18 Cupola**

Set G17 at top and centered set 4 - 3" screws in at a 45° angle approximately 1" up from bottom edge . See Fig. Y.



**Fig. Z**  
**Step : 19**



**Step : 19 Shake starters and caps**

Start at outer corners with G18's shake starter caps with small edge facing out with 2 small finish nails if you don't have a stapler that uses 1/2"x2" staple 2 staples per cap. Continue with G19's up to cupola. Use G20s as last shake next to cupola. Be sure to nail or staple into sheathing under the shake so the nails or staples are not exposed on the underside of the gazebo roof.